

فرع تاليفير عدد
غير الفيزياء

2A, 3-Q

الاسم : الرقم :

العدد

تمرين رقم 1

Q/A94-nM, S'

1 yB ✓

21 yE

18', "3D/MJ(o)9 8 (h)c/L3bv x' ✓

3D/MJ/2,H(6)1(6v)1/7-MJ, °1R, (6)M, HBE ✓

4,L(6)h1">1z, -RS-9S 3D/MJ, 4,L(6)h1">S 3D/MJ/2vi (6) ✓

3D/MJ,

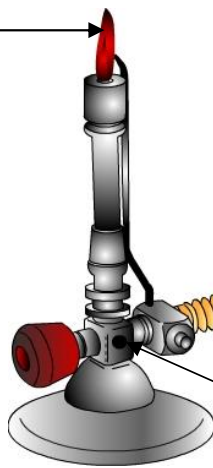
1 ORGE ✓

N# j'R 7-MJ, M(6,3'DIABG ✓

تمرين رقم 2

Q/A, a QVI (6)R>1, 3M(6/-°'u

Q, tLN1 q



Q/Q, Nm EIS

3' (6) 1 v9

Bunsen burner

Q/M(6, ti H(6) (6) Δ

Q/1B, 2+1, tM(6)±S yM, °

Δ

Q, 13(6)K' 4, M(6)M, °

Δ

Q, 13(6)K'



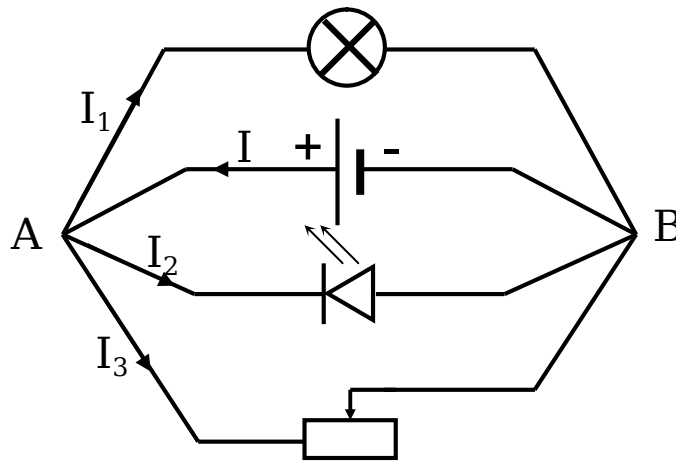
$\mathcal{E} = 1.5 \text{ V}$, $R = 1 \text{ } \Omega$, $r = 0.5 \text{ } \Omega$, $R_1 = 1 \text{ } \Omega$, $R_2 = 2 \text{ } \Omega$, $R_3 = 3 \text{ } \Omega$, $R_4 = 4 \text{ } \Omega$, $R_5 = 5 \text{ } \Omega$.

Calculate the current I through the battery.

Calculate the current I through the battery.

تمرین رقم 3

A circuit is shown in the figure. Calculate the current I through the battery.



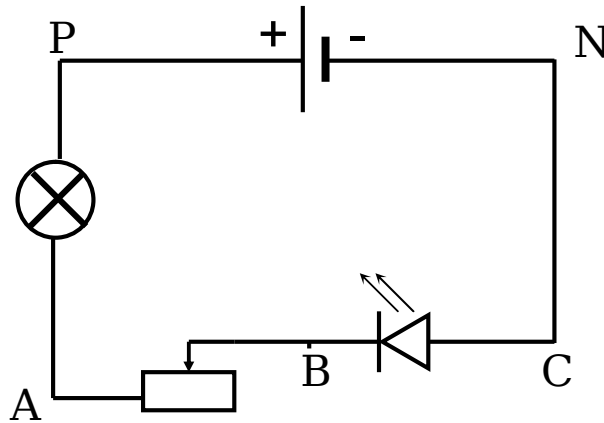
Calculate the current I through the battery.

Calculate the current I through the battery.

Calculate the current I through the battery.



1. On the circuit diagram below, the lamp is lit.



2. The switch is closed.

3. The switch is open.

4. The lamp is lit.

5. The lamp is not lit.

6. The lamp is lit when the switch is closed and not lit when the switch is open.

